

Reverse Power Relay - Analogue Din



PRODUCT OVERVIEW

ME-RPR relay is a directionally controlled timing relay used to protect AC generators from motoring.

When such conditions occur and the reverse current exceeds the adjustable delay time, the trip relay operates to disconnect the circuit.

FEATURES

- Din mount
- Reverse power monitoring
- 3-phase, 3 or 4-wire system
- Adjustable reverse power setting
- Adjustable tripping time delay
- Indicators for auxiliary power, trip delay and trip status
- Test button

ORDERING INFORMATION

PART NUMBER

ME-RPR-415A

*See Price List for CT's to suit RPR

DESCRIPTION

For 50Hz system, auxiliary voltage 100~240V AC

TECHNICAL DATA

INPUT

Rated Phase-Neutral voltage	: 220V to 240V AC
Rated Phase-phase voltage	: 380V to 415V AC
Rated frequency	: 50 or 60 Hz
Rated current (I _n)	: 5A
Burden	: < 0.3 VA at I _n
Thermal withstand	: 1.2 x U _n , 2 x I _n continuous
	: 1.2 x U _n , 10 x I _n for 3 sec
Power consumption	: 3 VA maximum

ACCURACY

Protection thresholds	: ± 3%
Hysteresis	: 1%
Delay time	: 0-0.5s, ± 15%, 40ms minimum.
	: 0.5s and above, ± 3%
Measurements	: ± 3%

ENVIRONMENTAL CONDITIONS

Temperature	: -5°C to +55°C
Humidity	: 56 days at 93% TH and 40°C non-condensing

INDICATORS

Aux supply On	: Green indicator
Delay	: Red indicator
Trip	: Red indicator

MECHANICAL

Mounting	: DIN rail
Dimension (mm)	: 71(w) x 85(h) x 70(d)
Approximate weight	: 0.3kg
Enclosure protection	: IP20 at the panel

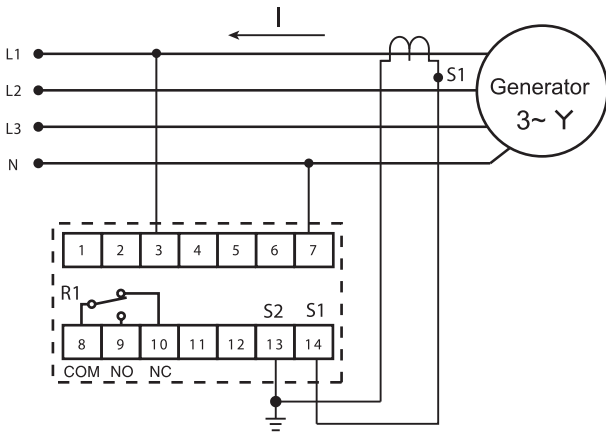
OUTPUT CONTACTS

Rated voltage	: 250V AC
Contact rating	: 5A
Expected electrical life	: 100,000 operations at rated current
Expected mechanical life	: 5 x 10 ⁶ operations

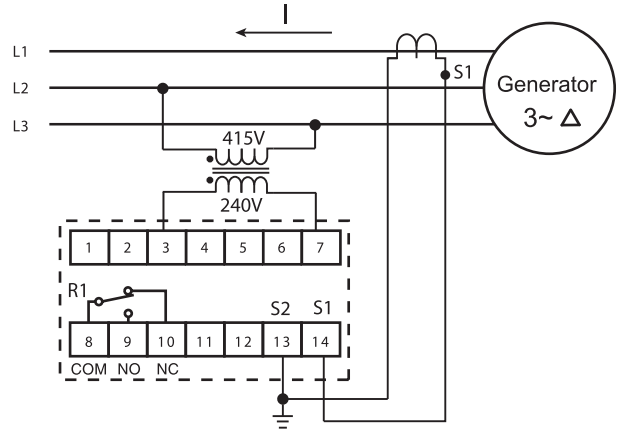
SETTING RANGES

Reverse power	: 2% to 20% reverse current with 1% hysteresis
Time delay	: 0 sec to 20 sec

TYPICAL APPLICATION DIAGRAM



3-Phase 4-wire / single-phase system



3-Phase 3-wire system

CASE DIMENSIONS

