

# Flag Relay



## PRODUCT OVERVIEW

Latching relay which has the advantage that one coil consumes power only for an instant while it is being switched, and the relay contacts retain this setting (open or closed state) even in the case of a power outage.

## FEATURES

- Flag window to indicate tripped state
- Compatibility with standard 11-pin relay configurations
- Vibration resistant electrical and / or mechanical reset facilities
- Relay will remain latched with the supply removed
- Plug-in unit, standard 11-pin base
- 2-pole change over that resets via mechanical and / or electrical means

## ORDERING INFORMATION

PART NUMBER	DESCRIPTION
MI-FR-24AC	24VAC Coil
MI-FR-110AC	110VAC Coil
MI-FR-12DC	12VDC Coil
MI-FR-24DC	24VDC Coil
MI-FR-48DC	48VDC Coil

## TECHNICAL DATA

### CONTACT LOADS

**Maximum Contact Load** : 10 A/250 V  
 AC1 0,5 A/110 V  
 DC1  
 : 10 A/30 V  
 DC1 0,2 A/220 V  
 DC1

**Recommended Minimum Contact Load** :

- : 10 mA/10 V  
Code 0, 9
- : 5 mA/5 V  
Code 8

### INSULATION

**Insulation** : Volt rms, 1 min  
**Contact Open** : 1000 V  
**Contact / Contact** : 2,5 kV  
**Contact / Coil** : 2,5 kV  
**Insulation Resistance at 500 V** :  $\geq 1 \text{ G } \Omega$   
**Insulation, IEC 61810-1** : 2,5 kV/3

### SPECIFICATIONS

**Ambient Temperature Operation / Storage** : -40 (no ice)...60 °C / -40 ... 80 °C

**Minimum Pulse Length for ON/OFF** : 50 ms  
**Mechanical Life ops** : 10 Mill.  
**DC Voltage Endurance at Rated Load** :  $\geq 100000$  switching cycles

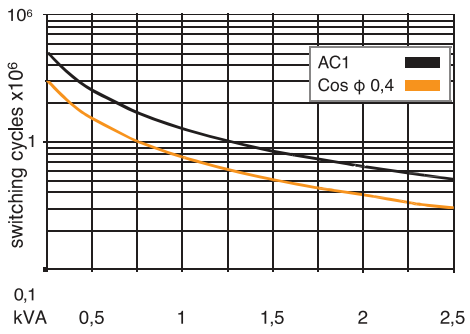
**Switching Frequency at Rated Load** :  $\leq 1200$ /ops/h  
**Protection Class** : IP40  
**Weight** : 95 g

### COIL

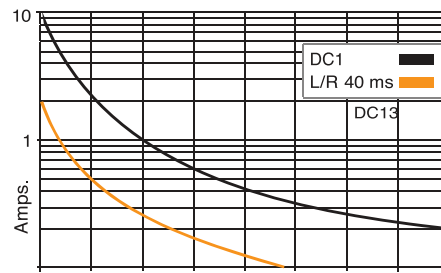
**Coil Resistance** : see table; tolerance  $\pm 10 \%$

**ON Pulse Power** : 1,5 VA/W  
**OFF Pulse Power** : 0,5 VA/W  
**Pull-in ON/OFF** :  $\leq 0,8 \times \text{UN}$

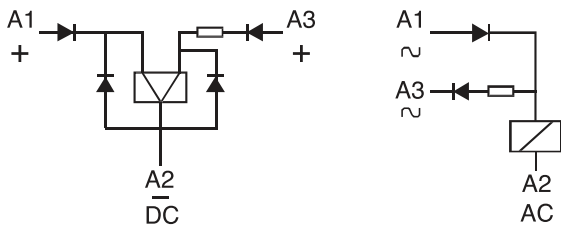
AC VOLTAGE ENDURANCE



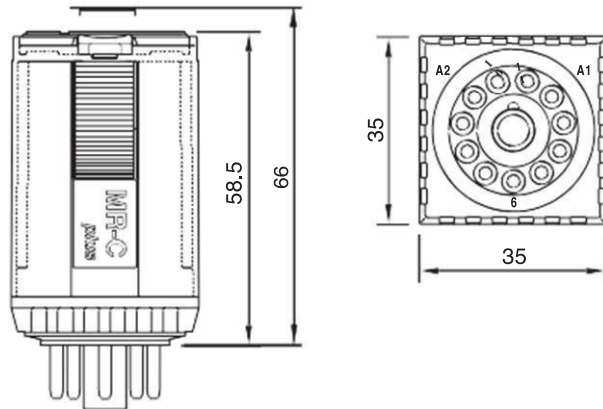
DC LOAD LIMIT CURVE



INTERNAL COIL DIAGRAM



DIMENSIONS (MM)



CONNECTION DIAGRAM

