

Mini Size Solid Core Current Transformer CT Style

50A-250A Load, 5A Output



Data Sheet

Features

- Two built in fixing methods: DIN rail or Busbar mounting
- Built in hinged terminal cover
- Snap on body
- Compact design
- Primary current from 50Amp to 250Amp

Applications

- Current measurement, monitoring and protection for electrical wiring and equipment
- Current and power measurement for electric motors, lighting, air compressor, heating and ventilation system, air-condition equipment and automation.
- Current, power and energy monitoring device
- Relay protection device

Description

A world famous MINI design plastic case transformer, Snap on body, Small size for tight spaces.

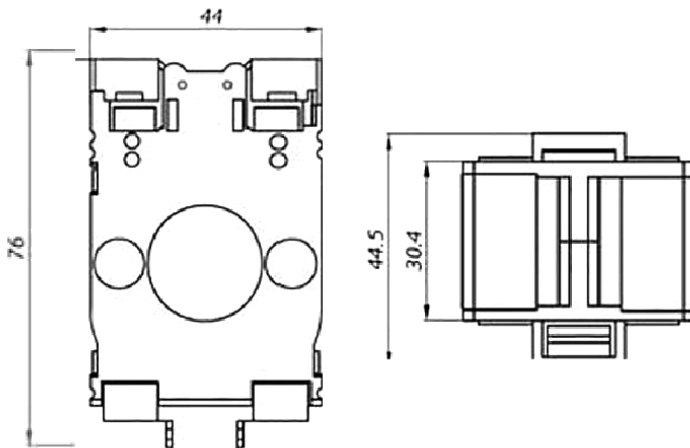
Part Numbers

Part Number	Amp Rating Ratio	VA Burden
ME-CT20/30-505	50/5 Amp (Main Power Cable to be run through the CT Twice)	1.0VA
ME-CT20/30-805	80/5Amp	1.5VA
ME-CT20/30-1005	100/5Amp	2.5VA
ME-CT20/30-1505	150/5Amp	2.5VA
ME-CT20/30-2005	200/5Amp	3.75VA
ME-CT20/30-2505	250/5Amp	3.75VA

Specifications

Rated Frequency	50/60Hz	Operating temperature	-10°C~50°C
Rated test voltage	3kV for 1 minute	Housing self-extinguishing class	V0
Rated short-time thermal current	60In	Safety factor	FS 5
Rated dynamic current	2.5Ith	Secondary current	5A
Rated voltage	0.72Kv AC	Accuracy Class	1
Continuous overload	1.2In		

Dimensions



Compatible with: MerCs range of CT connected Energy Meters.

Strider M4 V2, Strider M5, Strider M6, Strider M71, M73 and the Strider M8

Safety Precautions

1. The device must be installed and maintained by a qualified person,
2. Disconnect all power before working on the device. Don't touch any terminal when the power is ON.
3. Verify correct terminal connection when wiring.
4. Don't dismantle or repair the device whether it operates normally or otherwise
5. Never use the device at the site which can be invaded by corrosive gas, strong sunshine light or rain.
6. Clean the device with a dry cloth.
7. Fail to follow these instructions will result in serious injury or death.