

# Modular Fuse-Holder

for Cylindrical fuse links



## Data Sheet

### Features

- LED fuse fail indicator for fast identification of blown fuse
- DIN Rail Mount
- 1, 2 and 3 Pole assemblies (All fuses are pulled at the same time.)
- Maximum Voltage 690VAC/DC
- STID type (with indicator)
- Rated current: up to 125A, rated voltage: 690V AC (32A, 63A & 125A options)
- Standard specifications: IEC60269-2-1 EN60269-2-1 IEC63211

### Applications

- Over current protection
- Short circuit protection
- Sub Boards
- Pump Motor
- Power Meters
- Semi-conductors

### Description

MerCs series Cylinder Fuse Links are mainly used in 50Hz AC circuit, rated voltage up to 690V, rated current up to 125A, for circuit protection against overload and short circuit (type gG), also available for protection of semiconductor parts and equipment against short circuit (type aR), protection of motor (type aM). The breaking capacity of this 690VAC fuse link is 50KA. This series fuse is compliant with IEC 60269 standard. Available in three standard fuse holder sizes (32A, 63A & 125A options)

## MerCs Modular Fuse Holders

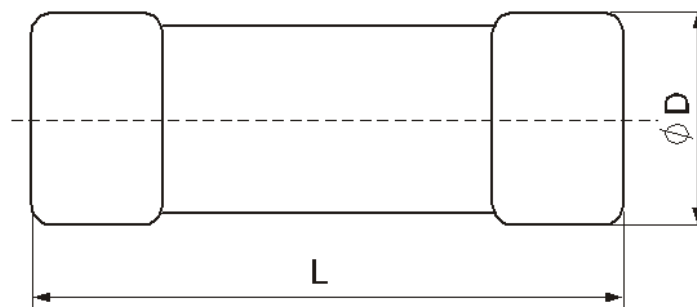
Part Number	Description	Rating Amp	Fuse Size	Width mm
MFH1038132	MerCs Cylinder Fuses DIN 32Amp 1Pole	32A	10x38	18
MFH1038232	MerCs Cylinder Fuses DIN 32Amp 2Pole	32A	10x38	36
MFH1038332	MerCs Cylinder Fuses DIN 32Amp 3Pole	32A	10x38	54
MFH1451150	MerCs Cylinder Fuses DIN 50Amp 1Pole	50A	14x51	26
MFH1451163	MerCs Cylinder Fuses DIN 63Amp 1Pole	63A	14x51	26
MFH1451363	MerCs Cylinder Fuses DIN 63Amp 3Pole	63A	14x51	79
MFH22571125	MerCs Cylinder Fuses DIN 125Amp 1Pole	125A	22x57	36
MFH22573125	MerCs Cylinder Fuses DIN 125Amp 3Pole	125A	22x57	108

## MerCs Modular Fuse Holders

Part Number	Description	Rating Amp	Fuse Size (Width/Length)
1038CFL005	MerCs Cylinder Fuse Link 10x38mm 500V	0.5A	10x38mm
1038CFL01	MerCs Cylinder Fuse Link 10x38mm 500V	1.A	10x38mm
1038CFL02	MerCs Cylinder Fuse Link 10x38mm 500V	2A	10x38mm
1038CFL04	MerCs Cylinder Fuse Link 10x38mm 500V	4A	10x38mm
1038CFL06	MerCs Cylinder Fuse Link 10x38mm 500V	6A	10x38mm

## MerCs Modular Fuse Holders *(continuation...)*

1038CFL08	MerCs Cylinder Fuse Link 10x38mm 500V	8A	10x38mm
1038CFL10	MerCs Cylinder Fuse Link 10x38mm 500V	10A	10x38mm
1038CFL16	MerCs Cylinder Fuse Link 10x38mm 500V	16A	10x38mm
1038CFL20	MerCs Cylinder Fuse Link 10x38mm 500V	20A	10x38mm
1038CFL25	MerCs Cylinder Fuse Link 10x38mm 500V	25A	10x38mm
1038CFL32	MerCs Cylinder Fuse Link 10x38mm 500V	32A	10x38mm
1451CFL06	MerCs Cylinder Fuse Link 14x51mm 500V	6A	14x51mm
1451CFL08	MerCs Cylinder Fuse Link 14x51mm 500V	8A	14x51mm
1451CFL10	MerCs Cylinder Fuse Link 14x51mm 500V	10A	14x51mm
1451CFL16	MerCs Cylinder Fuse Link 14x51mm 500V	16A	14x51mm
1451CFL20	MerCs Cylinder Fuse Link 14x51mm 500V	20A	14x51mm
1451CFL25	MerCs Cylinder Fuse Link 14x51mm 500V	25A	14x51mm
1451CFL32	MerCs Cylinder Fuse Link 14x51mm 500V	32A	14x51mm
1451CFL40	MerCs Cylinder Fuse Link 14x51mm 500V	40A	14x51mm
1451CFL50	MerCs Cylinder Fuse Link 14x51mm 500V	50A	14x51mm
1451CFL63	MerCs Cylinder Fuse Link 14x51mm 500V	63A	14x51mm
2258CFL06	MerCs Cylinder Fuse Link 22x58mm 500V	6A	22x58mm
2258CFL10	MerCs Cylinder Fuse Link 22x58mm 500V	10A	22x58mm
2258CFL16	MerCs Cylinder Fuse Link 22x58mm 500V	16A	22x58mm
2258CFL20	MerCs Cylinder Fuse Link 22x58mm 500V	20A	22x58mm
2258CFL25	MerCs Cylinder Fuse Link 22x58mm 500V	25A	22x58mm
2258CFL32	MerCs Cylinder Fuse Link 22x58mm 500V	32A	22x58mm
2258CFL40	MerCs Cylinder Fuse Link 22x58mm 500V	40A	22x58mm
2258CFL50	MerCs Cylinder Fuse Link 22x58mm 500V	50A	22x58mm
2258CFL63	MerCs Cylinder Fuse Link 22x58mm 500V	63A	22x58mm
2258CFL100	MerCs Cylinder Fuse Link 22x58mm 500V	100A	22x58mm
2258CFL125	MerCs Cylinder Fuse Link 22x58mm 500V	125A	22x58mm

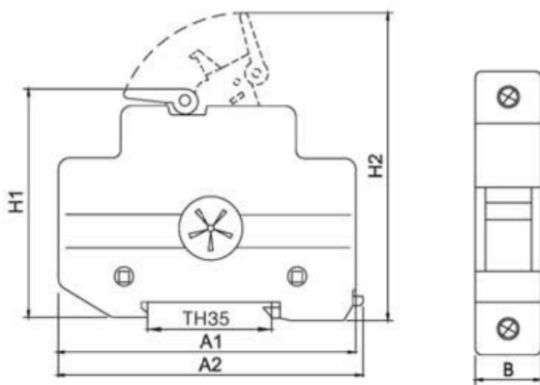


1038CFL Fuse Link

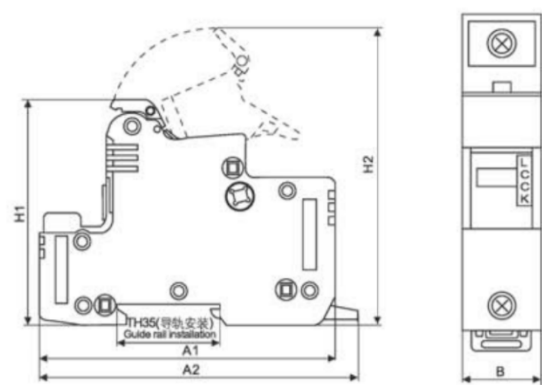
## Technical Data

Product Model	Applicable fuse link size	Rated Voltage (V)	Rated Current (A)	Overall Dimension (mm)				
				A1	A2	B	H1	H2
MFH1038(X)32 (1,2,3 Pole)	10x38	500	32	79	81	18	61	80
MFH1451(X)63 (1,3 Pole)	14X51	690	63	108	115	27	78	100
MFH22571125 (1, 3 Pole)	22X58	690	125	126	134	36	80	104

## Dimensions



MFH1038/MFH145



MFH2257

## Fuse Link Technical Data

- Heavy Duty Ceramic Housing
- Rated voltage: 500/690V AC
- Rated breaking capacity: 50/100kA
- Standard specifications: IEC60269-2-1 EN60269-2-1  
UNE21.103 Class: gG-gL
- Dot welding of fuse element ends ensures reliable electrical connection
- Arc-extinguishing Medium: chemically treated high-purity quartz sand

## Modular Fuse Holder Technical Data

- Fuse-Holder for Cylindrical fuse link
- STID type (with indicator)
- Vented body to efficiently reduce heating.
- Rated current: up to 125A,
- Rated voltage: 690V AC
- Standard specifications: IEC60269-2-1 EN60269-2-1 IEC63211

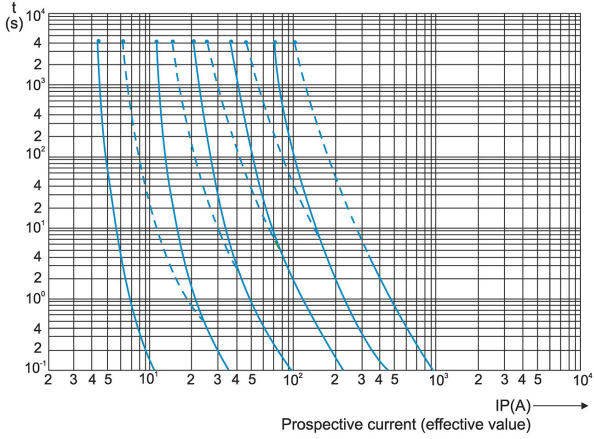
## Environment

Ambient air temperature not more than +70 oC Operating ( +80 Degree Celsius storage)

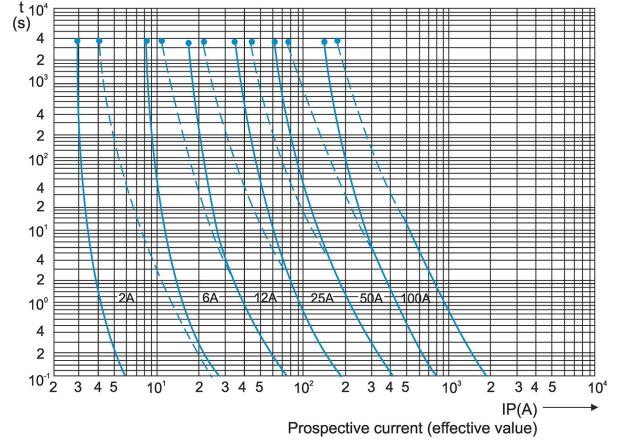
Ambient air temperature not lower than -40oC Operating and storage

Altitude of installation not more than 2000m above sea level (if more than 2000m, please inform supplier so that an alternate more suitable product can be offered)

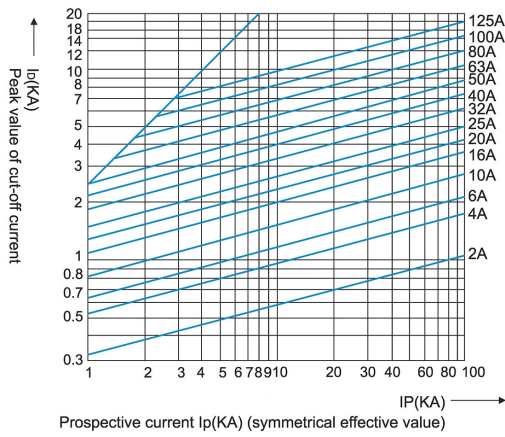
## Time/Current Curves



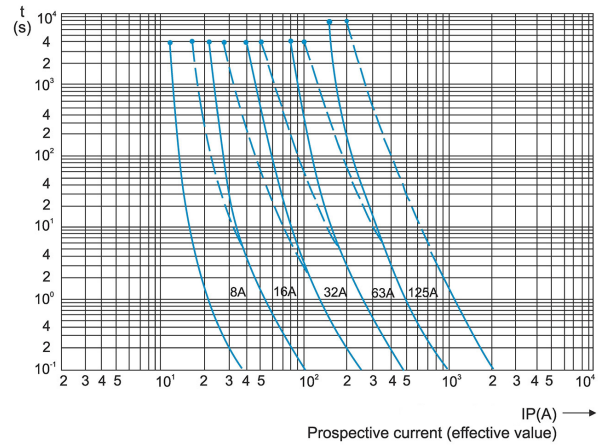
Time-current band of "gG" fuse link



Time-current band of "gG" fuse link



Characteristic of cut-off current of "gG" fuse link



Time-current band of "gG" fuse link