

## Data Sheet

### Features

- Constructed with high quality materials
- The arc-extinguishing medium is quartz sand
- Fuse tube is high strength ceramic
- Advanced manufacturing ensures consistent performance

### Applications

Used in conjunction with MerCs range of 3Phase Disconnect Fuse Holders, this range of fuses are used to help protect Switchboards and electrical conductors from short circuits and overloads.

### Description

This NH style series of gL/gG fuse links are mainly used in AC 50/60 Hz voltage up to 1140V, rated currents up to 1250A.

They are used to protect electric equipment from overload and short-circuit.

They can reliably break min. fusion current to any current within 120KA.

They are also used for the protection of semiconductor parts and equipment against short-circuit (type aR) and protection of motors (type α M).

This series of fuse links conforms to GB13539 and IEC 60269.

NH fuses (also known as NH Knife Blade Fuses or DIN NH Blade Fuses) are defined in the German DIN standard 43620. They are designed as general purpose fuses for the protection of conductors. NH fuses are a one-time fuses, meaning once they have blown, they must be replaced with a new fuse with the same characteristics.

### Part Numbers

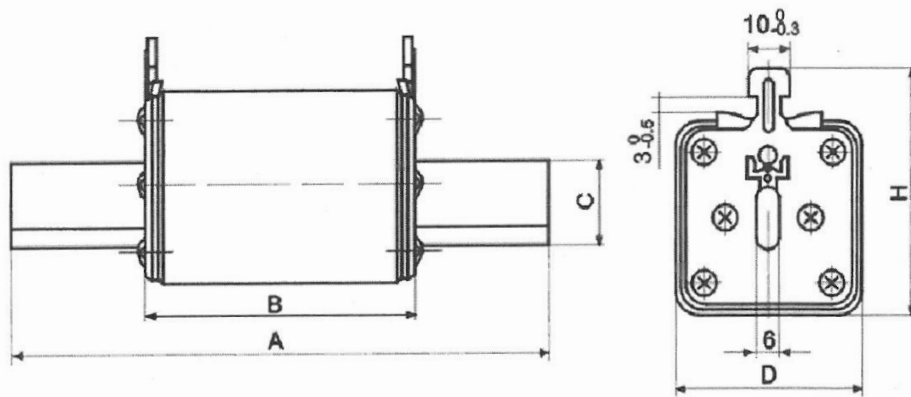
| Stock Code   | Description                                      |
|--------------|--|
| NH00-125     | MerCs NH Fuse Link NH00 250VDC gL/gG 29.5mm 125A |
| NH00-160     | MerCs NH Fuse Link NH00 250VDC gL/gG 29.5mm 160A |
| NH00-690-125 | MerCs NH Fuse Link NH00 680VAC gG 29.5mm 125A    |
| NH000-006    | MerCs NH Fuse Link NH000 250VDC gL/gG 20.8mm 6A  |
| NH000-010    | MerCs NH Fuse Link NH000 250VDC gL/gG 20.8mm 10A |
| NH000-016    | MerCs NH Fuse Link NH000 250VDC gL/gG 20.8mm 16A |
| NH000-020    | MerCs NH Fuse Link NH000 250VDC gL/gG 20.8mm 20A |
| NH000-025    | MerCs NH Fuse Link NH000 250VDC gL/gG 20.8mm 25A |
| NH000-032    | MerCs NH Fuse Link NH000 250VDC gL/gG 20.8mm 32A |
| NH000-035    | MerCs NH Fuse Link NH000 250VDC gL/gG 20.8mm 35A |
| NH000-040    | MerCs NH Fuse Link NH000 250VDC gL/gG 20.8mm 40A |
| NH000-050    | MerCs NH Fuse Link NH000 250VDC gL/gG 20.8mm 50A |

|           |   |
|-----------|---|
| NH000-063 | MerCs NH Fuse Link NH000 250VDC gL/gG 20.8mm 63A  |
| NH000-080 | MerCs NH Fuse Link NH000 250VDC gL/gG 20.8mm 80A  |
| NH000-100 | MerCs NH Fuse Link NH000 250VDC gL/gG 20.8mm 100A |
| NH1-063   | MerCs NH Fuse Link NH1 440VDC gL/gG 29.5mm 63A    |
| NH1-080   | MerCs NH Fuse Link NH1 440VDC gL/gG 29.5mm 80A    |
| NH1-100   | MerCs NH Fuse Link NH1 440VDC gL/gG 29.5mm 100A   |
| NH1-125   | MerCs NH Fuse Link NH1 440VDC gL/gG 39.5mm 125A   |
| NH1-160   | MerCs NH Fuse Link NH1 440VDC gL/gG 39.5mm 160A   |
| NH1-200   | MerCs NH Fuse Link NH1 440VDC gL/gG 39.5mm 200A   |
| NH1-250   | MerCs NH Fuse Link NH1 440VDC gL/gG 39.5mm 250A   |
| NH2-125   | MerCs NH Fuse Link NH2 440VDC gL/gG 39.5mm 125A   |
| NH2-160   | MerCs NH Fuse Link NH2 440VDC gL/gG 39.5mm 160A   |
| NH2-200   | MerCs NH Fuse Link NH2 440VDC gL/gG 39.5mm 200A   |
| NH2-250   | MerCs NH Fuse Link NH2 440VDC gL/gG 39.5mm 250A   |
| NH2-315   | MerCs NH Fuse Link NH2 440VDC gL/gG 51mm 315A     |
| NH2-355   | MerCs NH Fuse Link NH2 440VDC gL/gG 51mm 355A     |
| NH2-400   | MerCs NH Fuse Link NH2 440VDC gL/gG 51mm 400A     |
| NH3-400   | MerCs NH Fuse Link NH3 440VDC gL/gG 400A          |

## Technical Data

gL/gG General Purpose, Fast Acting fuse

## Dimensions



| Model | Rated Voltage | Rated Current Specification | Overall Dimension |    |    |    |    |
|-------|---------------|-----------------------------|-------------------|----|----|----|----|
|       |               |                             | A                 | B  | C  | D  | H  |
| NH000 | 500/690       | 6 - 100                     | 78                | 52 | 15 | 21 | 53 |
| NH00  | 500/690       | 125 - 160                   | 78                | 53 | 13 | 30 | 60 |
| NH1   | 500/690       | 63 - 250                    | 135               | 72 | 20 | 48 | 65 |
| NH2   | 500/690       | 125 - 400                   | 150               | 72 | 25 | 58 | 72 |
| NH3   | 500/690       | 400                         | 150               | 74 | 32 | 67 | 82 |

## Compatible with

MerCs range of 3 Phase disconnect Fuse Holders

| Part Number | Description  |
|-------------|--|
| DS00-3-160  | MerCs DISCONNECT SWITCHES 3Ph Fuse Holders Surface Mount 160 Amp Size NH00/000 |
| DS1-3-250   | MerCs DISCONNECT SWITCHES 3Ph Fuse Holders Surface Mount 250Amp Size NH1       |
| DS2-3-400   | MerCs DISCONNECT SWITCHES 3Ph Fuse Holders Surface Mount 400Amp Size NH2       |
| DS3-3-630   | MerCs DISCONNECT SWITCHES 3Ph Fuse Holders Surface Mount 630Amp Size NH3       |