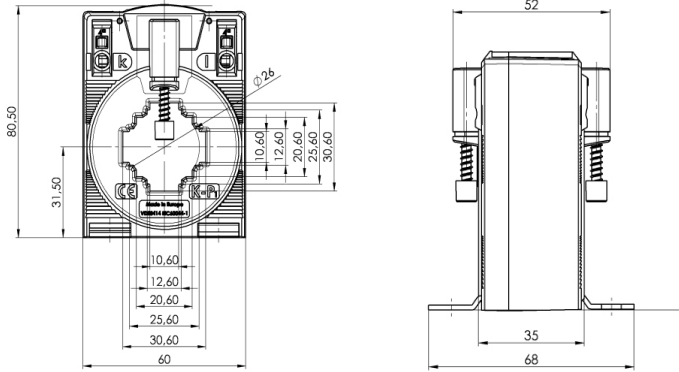


# CTB 31.35

Plug-in current transformer

**MerCs**  
SAFE · PRODUCTIVE · RELIABLE



## Dimensions

Primary conductor 1	30 x 10 mm
Primary conductor 2	25 x 12 mm
Primary conductor 3	20 x 20 mm
Round conductor	26 mm
Transformer width	60 mm
Transformer height	80.5 mm
Total depth	52 mm
Snap-on mounting	(Art.-no. 55015)

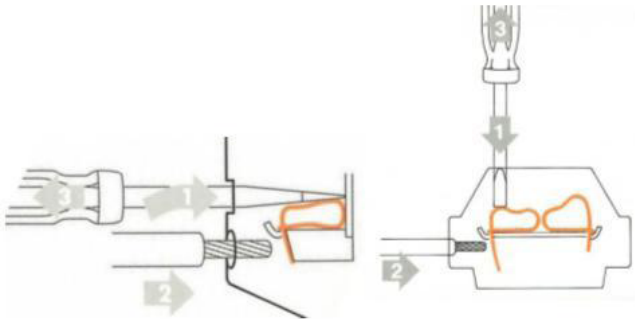
## General technical specifications

Thermal nominal continuous rated current $I_{cth}$	$1.2 \times I_N$
Thermal nominal short-time current $I_{th}$	$60 \times I_N, 1 \text{ sec.}$
Maximum operating voltage $U_m$	1.0 kV
Isolation test voltage	6 kV, $U_{eff}$ , 50 Hz, 1 Min.
Rated frequency	50 Hz
Isolation class	E
Applicable technical standards	DIN EN 60044/1 VDE 0414 Teil 1

## Further information

- World's first CT with screwless connection technology for the secondary caps – "Cage Clamp"<sup>®</sup>
- UL certification. **Certificate No.: 20100426-E336996**
- Innovative time-saving connectivity of both solid and flexible conductors not exceeding 4 mm<sup>2</sup> on top or in front and with or without ferrules.
- Vibration and shock resistant
- A maintenance free unit, gas tight connection
- High current carrying capacity
- High mechanical holding forces
- Low voltage CT for maximum operating voltage to 1.0 kV. Use in 690 V networks possible
- For use where the primary nominal current ranges from 50 A to 750 A
- Accuracy classes 3 and 1
- Capable of being constantly overloaded to 120 % of the primary rated current
- A limiting factor is incorporated if the current exceeds the allowable rate. See the rating plate on the CT for details
- Operating temperature in the range -5°C to 50°C
- Storage temperature in the range -25°C to 70°C
- Unbreakable plastic housing of grey polycarbonate. Self-extinguishing, UL94-V0 and flame resistant
- Packaging unit: 1 pc.
- Customs tariff number: 85043129

Screwless connection technology  
„Cage Clamp®“ (In front or on top)

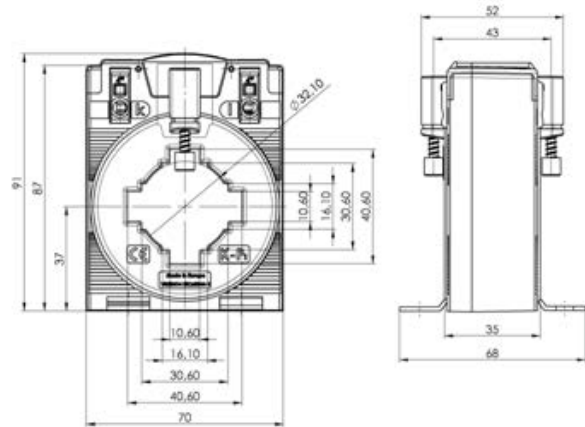


## Stocked lines

Secondary current		5A			1A		
Primary current [A]	Burden [VA]	Accuracy class			Accuracy class		
		3	1	0,5	3	1	0,5
50	1,25		ME-CTG30-505A				
75	1,25	50-0050			50-0070		
80	1,25	50-0051			50-0071		
100	2,5	50-0052	ME-CTG30-1005A		50-0072		
125	2,5		50-0053			50-0073	
150	2,5		50-0054			50-0074	
200	1,5			50-2050			50-2070
	5		50-0055			50-0075	
250	2,5			50-2051			50-2071
	5		50-0056			50-0076	
300	2,5			50-2052		50-0077	50-2072
	5		50-0057			50-0078	50-2073
400	5		50-0058	50-2053		50-0079	50-2074
500	5		50-0059	50-2054		50-0080	50-2075
	10		50-0060			50-0081	50-2076
600	5		50-0061	50-2055		50-0082	50-2077
	10		50-0062	50-2056		50-0083	50-2078
750	5		50-0063	50-2057		50-0084	
	10		50-0064	50-2058		50-0085	50-2079
800	5		50-0065	50-2059		50-0086	50-2080
	10		50-0066	50-2060		50-0087	50-2081
1000	5		50-0067	50-2061		50-0088	50-2082
	10		50-0068	50-2062			

# CTB 41.35

Plug-in current transformer



## Dimensions

Primary conductor 1	40 x 10 mm
Primary conductor 2	30 x 15 mm
Round conductor	32 mm
Transformer width	70 mm
Transformer height	91 mm
Total depth	52 mm
Snap-on mounting	(Art.-no. 55015)

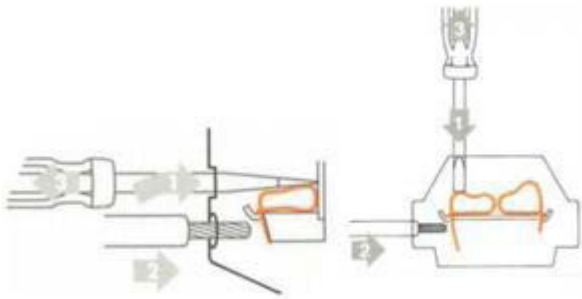
## General technical specifications

Thermal nominal continuous rated current $I_{cth}$	$1.2 \times I_N$
Thermal nominal short-time current $I_{th}$	$60 \times I_N, 1 \text{ sec.}$
Maximum operating voltage $U_m$	1.0 kV
Isolation test voltage	6 kV, $U_{eff}$ , 50 Hz, 1 Min.
Rated frequency	50 Hz
Isolation class	E
Applicable technical standards	DIN EN 60044/1 VDE 0414 Teil 1

## Further information

- World's first CT with screwless connection technology for the secondary caps – "Cage Clamp"
- UL certification. **Certificate No.: 20100426-E336996**
- Innovative time-saving connectivity of both solid and flexible conductors not exceeding 4 mm<sup>2</sup> on top or in front and with or without ferrules.
- Vibration and shock resistant
- A maintenance free unit, gas tight connection
- High current carrying capacity
- High mechanical holding forces
- Low voltage CT for maximum operating voltage to 1.0 kV. Use in 690 V networks possible
- For use where the primary nominal current ranges from 75 A to 1000 A
- Accuracy classes 3 and 1
- Capable of being constantly overloaded to 120 % of the primary rated current
- A limiting factor is incorporated if the current exceeds the allowable rate. See the rating plate on the CT for details
- Operating temperature in the range -5°C to 50°C
- Storage temperature in the range -25°C to 70°C
- Unbreakable plastic housing of grey polycarbonate. Self-extinguishing, UL94-V0 and flame resistant
- Packaging unit: 1 pc.
- Customs tariff number: 85043129

Screwless connection technology  
„Cage Clamp®“ (In front or on top)

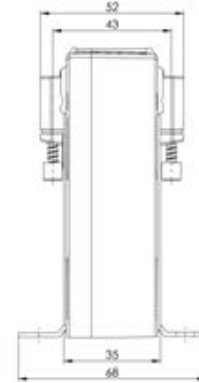
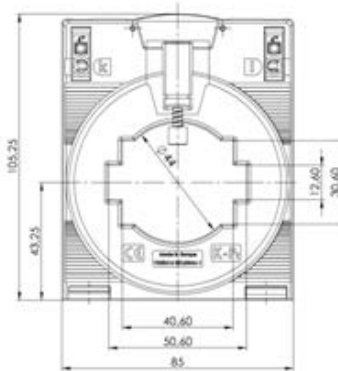


## Stocked lines

Secondary current		5A			1A		
Primary current [A]	Burden [VA]	Accuracy class			Accuracy class		
		3	1	0,5	3	1	0,5
75	1,25	50-0050			50-0070		
80	1,25	50-0051			50-0071		
100	2,5	50-0052			50-0072		
125	2,5		50-0053			50-0073	
150	2,5		50-0054			50-0074	
200	1,5			50-2050			50-2070
	5		ME-CTG-2005A			50-0075	
250	2,5			50-2051			50-2071
	5		50-0056			50-0076	
300	2,5			50-2052		50-0077	50-2072
	5		50-0057			50-0078	50-2073
400	5		50-0058	50-2053		50-0079	50-2074
500	5		50-0059	50-2054		50-0080	50-2075
	10		50-0060			50-0081	50-2076
600	5		50-0061	50-2055		50-0082	50-2077
	10		50-0062	50-2056		50-0083	50-2078
750	5		50-0063	50-2057		50-0084	
	10		50-0064	50-2058		50-0085	50-2079
800	5		50-0065	50-2059		50-0086	50-2080
	10		50-0066	50-2060		50-0087	50-2081
1000	5		50-0067	50-2061		50-0088	50-2082
	10		50-0068	50-2062			

# CTB 51.35

Plug-in current transformer



## Dimensions

Primary conductor 1	50 x 12 mm
Primary conductor 2	40 x 30 mm
Round conductor	44 mm
Transformer width	85 mm
Transformer height	105.25 mm
Total depth	52 mm

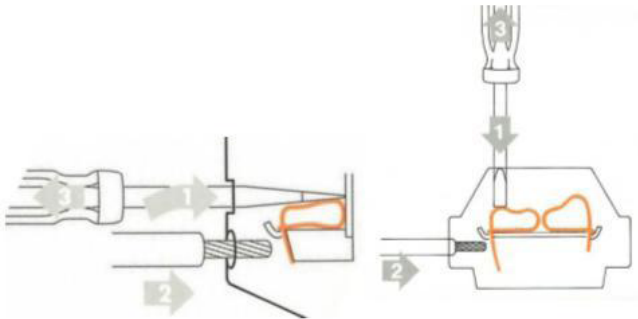
## General technical specifications

Thermal nominal continuous rated current $I_{cth}$	$1.2 \times I_N$
Thermal nominal short-time current $I_{th}$	$60 \times I_N, 1 \text{ sec.}$
Maximum operating voltage $U_m$	1.0 kV
Isolation test voltage	6 kV, $U_{eff}$ , 50 Hz, 1 Min.
Rated frequency	50 Hz
Isolation class	E
Applicable technical standards	DIN EN 60044/1 VDE 0414 Teil 1

## Further information

- World's first CT with screwless connection technology for the secondary caps – „Cage Clamp“
- UL certification. **Certificate No.: 20100426-E336996**
- Innovative time-saving connectivity of both solid and flexible conductors not exceeding 4 mm<sup>2</sup> on top or in front and with or without ferrules.
- Vibration and shock resistant
- A maintenance free unit, gas tight connection
- High current carrying capacity
- High mechanical holding forces
- Low voltage CT for maximum operating voltage to 1.0 kV. Use in 690 V networks possible
- For use where the primary nominal current ranges from 100 A to 1250 A
- Accuracy class 1
- Capable of being constantly overloaded to 120 % of the primary rated current
- A limiting factor is incorporated if the current exceeds the allowable rate. See the rating plate on the CT for details
- Operating temperature in the range -5°C to 50°C
- Storage temperature in the range -25°C to 70°C
- Unbreakable plastic housing of grey polycarbonate. Self-extinguishing, UL94-V0 and flame resistant
- Packaging unit: 1 pc.
- Customs tariff number: 85043129

Screwless connection technology  
„Cage Clamp®“ (In front or on top)

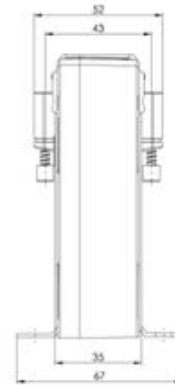
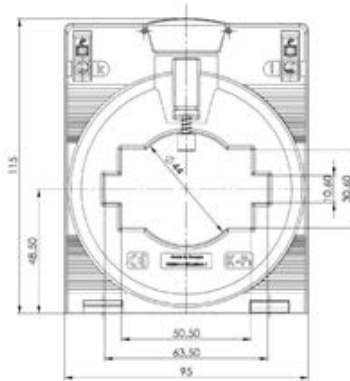


## Stocked lines

Secondary current		5A		1A	
Primary current [A]	Burden [VA]	Accuracy class		Accuracy class	
		1	0,5	1	0,5
		Art.-no.	Art.-no.	Art.-no.	Art.-no.
100	1,25	50-0100		50-0120	
125	1,25	50-0101		50-0121	
150	2,5	50-0102		50-0122	
200	1,5		50-2100		50-2120
	5	50-0103		50-0123	
250	2,5		50-2101		50-2121
	5	50-0104		50-0124	
300	2,5		50-2102		50-2122
	5	50-0105		50-0125	
400	5	50-0106	50-2103	50-0126	50-2123
	10	50-0107		50-0127	
500	5	50-0108	50-2104	50-0128	50-2124
	10	50-0109	50-2105	50-0129	50-2125
600	5	50-0110	50-2106	50-0130	50-2126
	10	50-0111	50-2107	50-0131	50-2127
750	5	50-0112	50-2108	50-0132	50-2128
	10	50-0113	50-2109	50-0133	50-2129
800	5	50-0114	50-2110	50-0134	50-2130
	10	50-0115	50-2111	50-0135	50-2131
1000	5	50-0116	50-2112	50-0136	50-2132
	10	50-0117	50-2113	50-0137	50-2133
1200	5	50-0291	50-2114	50-0293	50-2134
	10	50-0292	50-2115	50-0294	50-2135
1250	5	50-0118	50-2116	50-0138	50-2136
	10	50-0119	50-2117	50-0139	50-2137

# CTB 61.35

Plug-in current transformer



## Dimensions

Primary conductor 1	63 x 10 mm
Primary conductor 2	50 x 30 mm
Round conductor	44 mm
Transformer width	95 mm
Transformer height	115 mm
Total depth	52 mm

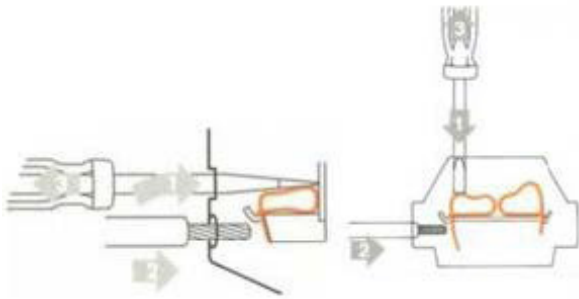
## General technical specifications

Thermal nominal continuous rated current $I_{cth}$	$1.2 \times I_N$
Thermal nominal short-time current $I_{th}$	$60 \times I_N, 1 \text{ sec.}$
Maximum operating voltage $U_m$	1.0 kV
Isolation test voltage	6 kV, $U_{eff}$ , 50 Hz, 1 Min.
Rated frequency	50 Hz
Isolation class	E
Applicable technical standards	DIN EN 60044/1 VDE 0414 Teil 1

## Further information

- World's first CT with screwless connection technology for the secondary caps – „Cage Clamp“
- UL certification. **Certificate No.: 20100426-E336996**
- Innovative time-saving connectivity of both solid and flexible conductors not exceeding 4 mm<sup>2</sup> on top or in front and with or without ferrules.
- Vibration and shock resistant
- A maintenance free unit, gas tight connection
- High current carrying capacity
- High mechanical holding forces
- Low voltage CT for maximum operating voltage to 1.0 kV. Use in 690 V networks possible
- For use where the primary nominal current ranges from 200 A to 1600 A
- Accuracy class 1
- Capable of being constantly overloaded to 120 % of the primary rated current
- A limiting factor is incorporated if the current exceeds the allowable rate. See the rating plate on the CT for details
- Operating temperature in the range -5°C to 50°C
- Storage temperature in the range -25°C to 70°C
- Unbreakable plastic housing of grey polycarbonate. Self-extinguishing, UL94-V0 and flame resistant
- Packaging unit: 1 pc.
- Customs tariff number: 85043129

Screwless connection technology  
„Cage Clamp®“ (In front or on top)



## Stocked lines

Secondary current		5A		1A	
Primary current [A]	Burden [VA]	Accuracy class		Accuracy class	
		1	0,5	1	0,5
		Art.-no.	Art.-no.	Art.-no.	Art.-no.
200	2,5	50-0150	50-2150	50-0170	50-2170
250	2,5		50-2151		50-2171
	5	50-0151		50-0171	
300	5	50-0152	50-2152	50-0172	50-2172
400	5	50-0153	50-2153	50-0173	50-2173
500	5	50-0154	50-2154	50-0174	50-2174
600	5	50-0155	50-2155	50-0175	50-2175
750	5	50-0156	50-2156	50-0176	50-2176
	10	50-0157	50-2157	50-0177	50-2177
800	5	50-0158	50-2158	50-0178	50-2178
	10	50-0159	50-2159	50-0179	50-2179
1000	5	50-0160	50-2160	50-0180	50-2180
	10	ME-CTG60-10005A	50-2161	50-0181	50-2181
1200	5	50-0287	50-2162	50-0289	50-2182
	10	50-0288	50-2163	50-0290	50-2183
1250	5	50-0162	50-2164	50-0182	50-2184
	10	50-0163	50-2165	50-0183	50-2185
1500	5	50-0164	50-2166	50-0184	50-2186
	10	50-0165	50-2167	50-0185	50-2187
1600	5	50-0166	50-2168	50-0186	50-2188
	10	50-0167	50-2169	50-0187	50-2189