

MerCs CTRJ series 3-in-1 Current Transformer with RJ connection



Features

- Cost effective three-phase molded case
- Ratio's ranging from 60A ~ 630A
- RJ12 socket for quick connection and eliminate wiring error
- Busbar, Din-rail and metal feet are supplied as standard
- Supplied with a 2 Meter lead c/w RJ12 Plugs
- (3 meter lead optional)
- 333mV output

Compatible with MerCs DIN mount Energy Meter STRIDER M4 RJ

Compatible with MerCs Panel Mount Energy Meter STRIDER M72



Applications

- Domestic and industrial Switchboards
- Generator control Panels
- Motor control panels
- Pump Stations
- Metering panels

Description

MerCs 3 in 1 CTs with RJ12 socket outlet are a Cost effective way to measure current in each phase. The Compact molded case is easy to use and protects internal measuring components RJ12 socket allows for quick connection and will help to eliminate wiring errors 333mV rated output is safer than other current ratio systems.

An internal precision resistor across the secondary winding of the CT provides a safe, low voltage output - no more worries about open-circuiting CT secondary circuits.

Technical Data

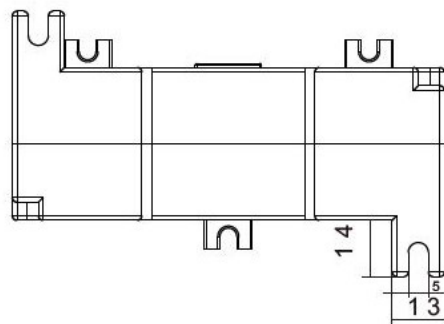
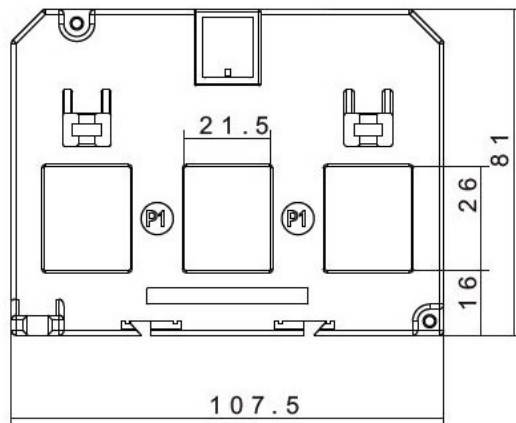
- Frequency: 50Hz-60Hz
- Rated current: 60A to 630A loads
- Rated output: 333mV (AC)
- Secondary terminals: RJ12
- Aperture holes centers: 35,45 mm
- Accuracy: Class 0.5 from 20% to 120% of rated current
- Phase angle: Less than 2 degrees at 50% of rated current
- Insulation voltage: 600 Vac
- Maximum primary voltage: 5000Vac (Insulated Conductor)
- Dielectric strength: 2.5 KV / I mA / I min
- Operating temperature: -15°C to 60°C
- Operating humidity: <85%
- Case material: PC / UL 94-V0
- Bobbin: PBT
- Compliant with: IEC/EN60044/1

Part Numbers

Model	Rated Amp	Output	Burden (VA)
			Class:0.5
ME-CTRJ-3-35 -603-05	60A	333mV	0.25
ME-CTRJ-3-35 -1003-05	100A	333mV	0.25
ME-CTRJ-3-35 -1603-05	160A	333mV	0.25
ME-CTRJ-3-35 -2003-05	200A	333mV	0.25
ME-CTRJ-3-35 -2503-05	250A	333mV	0.25
ME-CTRJ-3-45-2503-05	250A	333mV	0.25
ME-CTRJ-3-45-4003-05	400A	333mV	0.25
ME-CTRJ-3-45-5003-05	500A	333mV	0.25
ME-CTRJ-3-45-6303-05	630A	333mV	0.25

Dimensions

35mm Centres



45mm Centres

