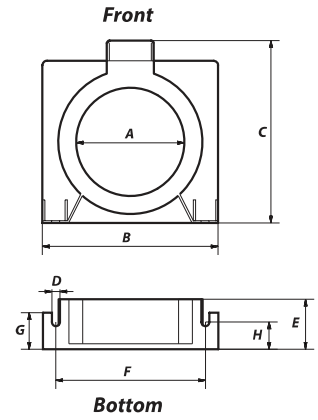


# Zero-Phase Current Transformer - Toroids



## CASE DIMENSIONS

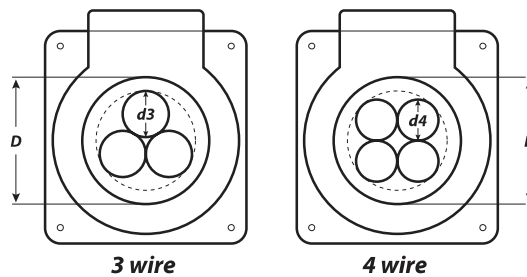


DIMENSION (mm)					
	T-40	T-60	T-80	T-120	T-210
A	40	60	80	120	210
B	89	105	130	180	310
C	94	110	135	195	311
D	6	6	6	6	6
E	37	37	37	37	37
F	75	87	112	159	292
G	20	20	20	20	18

## PRODUCT OVERVIEW

Zero phase current transformer (Toroid) is used to sense the leakage current of all conductors passing through the toroid. These Toroids are to be used with the MerC's range of Earth Leakage Relays.

## CALCULATION TO DETERMINE INNER DIAMETER



MODEL	D Toroid inner diameter (mm)	d3, 3 wire Up till wire diameter (mm)	d4, 4 wire Up till wire diameter (mm)
ME-T-40	40	14	12
ME-T-60	60	23	21
ME-T-80	80	32	29
ME-T-120	120	51	46
ME-T-210	210	93	83

### Example:

For a single core CU / PVC insulated, non-sheathed 450 / 750 V 50mm<sup>2</sup> conductor, it's nominal overall diameter is 11.7mm. To pass 4 wires through the ME-T, we can use ME-T-40 as the maximum diameter it can support is up till 12mm.