

SS3P

Three Position 22mm Selector Switch 230VAC

MerCs
SAFE · PRODUCTIVE · RELIABLE

Product availability: Stock - Normally stocked



Types

| Part number | Description |
|-------------|--|
| SS3P-SR-2NO | 3 Position, Spring Return, 2NO, 22mm Selector Switch |
| SS3P-SP-2NO | 3 Position, Stay Put, 2NO, 22mm Selector Switch |
| SS3P-SR-1I | 3 Position, Spring Return, 1NO+1NC, 22mm Selector Switch |

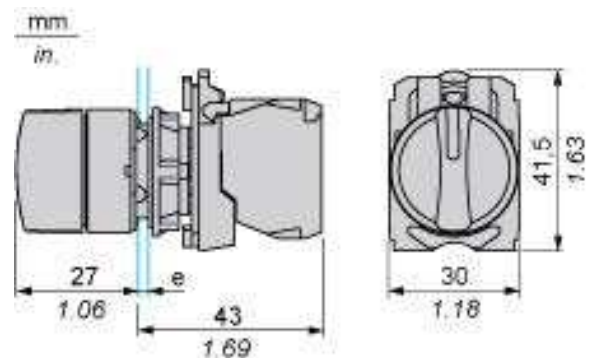
Characteristics

- Range of product: MerCs SS3P
- Product or component type: Complete selector switch
- Device short name: SS3P
- Bezel material: Plastic
- Head type: Standard
- Mounting diameter: 0.87 in (22 mm)
- Sale per indivisible quantity: 1
- Shape of signaling unit head: Round
- Type of operator: Stay put/Spring Return
- Operator profile: Black standard handle
- Operator position information: 3 positions +/- 45°
- Contacts type and composition: 2 NO or 1NO/1NC
- Contact operation: Slow-break
- Connections - terminals:
 - Screw clamp terminals:
 - $\leq 2 \times 1.5 \text{ mm}^2$ with cable end conforming to EN/IEC 60947-1
 - Screw clamp terminals:
 - $\geq 1 \times 0.22 \text{ mm}^2$ without cable end conforming to EN/IEC 60947-1

Complementary

- Mechanical durability: 1000000 cycles
- Contacts material Silver alloy: (Ag/Ni)
- Short-circuit protection: 10 A cartridge fuse type gG conforming to EN/IEC 60947-5-1
- [I_{th}] conventional free air thermal current: 10 A conforming to EN/IEC 60947-5-1
- [U_i] rated insulation voltage: 1600 V (degree of pollution: 3) conforming to EN 60947-1
- [U_{imp}] rated impulse withstand voltage: 6 kV conforming to EN 60947-1

Dimensions

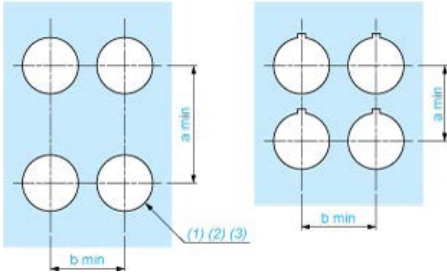


e: clamping thickness: 1 to 6 mm / 0.04 to 0.24 in.

Mounting and Clearance

Panel Cut-out for Pushbuttons, Switches and Pilot Lights (Finished Holes, Ready for Installation)

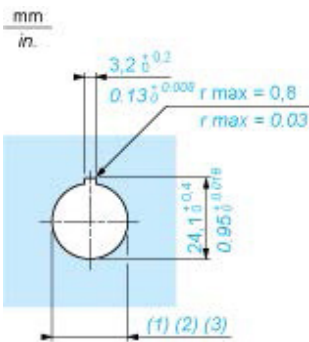
Connection by Screw Clamp Terminals



1. Diameter on finished panel or support
2. For selector switches and Emergency stop buttons, use of an anti-rotation plate type ZB5AZ902 is recommended.
3. Ø22.5 mm recommended ($\text{Ø}22.3_0^{+0.4}$) / Ø0.89 in. recommended ($\text{Ø}0.88_0^{+0.016}$)

| Connections | a in mm | a in in. | b in mm | b in in. |
|--------------------------|---------|----------|---------|----------|
| By screw clamp terminals | 40 | 1.57 | 30 | 1.18 |

Detail of Lug Recess



1. Diameter on finished panel or support
2. For selector switches and Emergency stop buttons, use of an anti-rotation plate type ZB5AZ902 is recommended.
3. Ø22.5 mm recommended ($\text{Ø}22.3_0^{+0.4}$) / Ø0.89 in. recommended ($\text{Ø}0.88_0^{+0.016}$)

Compatible with



PMH-DIN - 22mm Pushbutton DIN Mount Fixture